

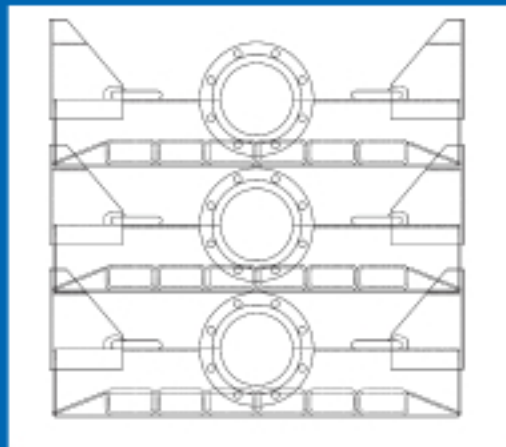
# SPECIFICATIONS

# Stackable Road Crossings Units

Four Sizes to choose from:

- 8" Flange x 12 feet
- 8" Flange x 24 feet
- 12" Flange x 12 feet
- 12" Flange x 24 feet

Stackable for easy storage and transport



Four heavy duty "D" lifting rings

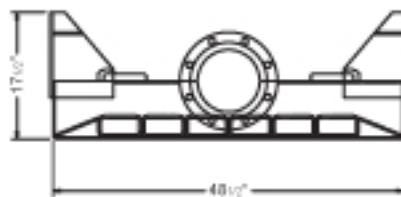
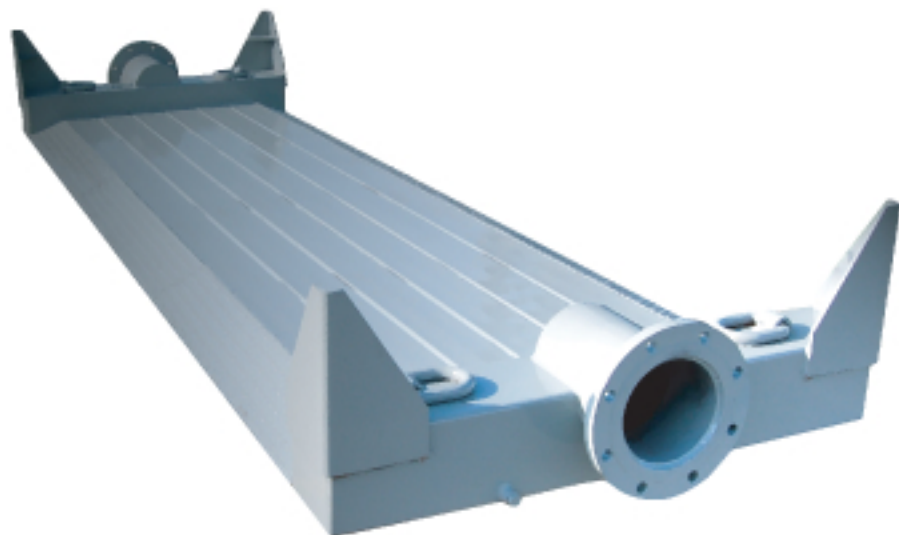
Angled approach ramps

Constructed from 1/4" steel wall material

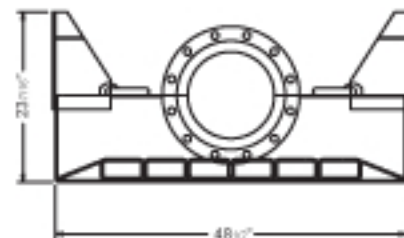
3" x 6" rectangular crosstubing

150# Flange inlet/outlet

Hot dipped galvanized to prevent corrosion and rust for longer production life



8" Flange Model



12" Flange Model



# DRAGON

## PRODUCTS, LTD.

### 1-800-231-8198

[www.modernusa.com](http://www.modernusa.com)