

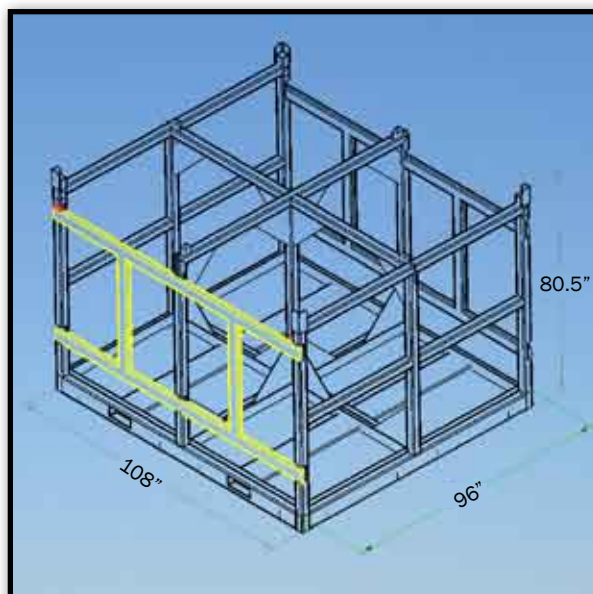
4 TOTE TRANSFER CARRIER "PATENT PENDING"

This 4 Tote Transfer Carrier is designed to safely contain for transport four 550 Gallon IBC Transport Tanks. This package reduces loading and unloading time and increases the general HS&E workspace by securing the individual tote tanks during transit. The 4 Tote Transfer Carrier provides a safer 4 point hook up for rigging and reduces crane and boat time during the loading and unloading. API RP2A, 12079, API RP2A SEPCO 0055.



SPECIFICATIONS

- DNV 2.7-1 Certificate #S-5699
- EN 12079 Offshore Container-design, construction, testing, inspection and marking.
- IMO/MSC Circular 860
- External Dimensions
8'x9'-6"x6'-4.5" Height (114"x96"x86.5")
(2.89x2.44x2.19m)
- Est. Tare Weight - 4,775 lbs.
- Max Gross Weight - 28,775 lbs.
- Max Payload - 24,000 lbs.



FLUID TRANSPORT TANKS | **TIGER OFFSHORE RENTALS**

