

SUMMER 2008



# C2 TILTING GRADER BLADE

## *Operator's Manual*

**MODERN**  
**AG PRODUCTS, LTD.**

YOU'RE ALWAYS AHEAD...WITH A MODERN BEHIND.

003-5336  
003-5342  
003-5531  
003-5544

P.O. BOX 790 • BEAUMONT, TX 77704  
409.833.2665 • 1.800.231.8198 FAX: 409.726.8333  
[www.modernusa.com](http://www.modernusa.com)

*Go Galvanized!*

# CHECK LIST

## **PRE-DELIVERY CHECKLIST**

Inspect the blade thoroughly after assembly to be certain it is set up properly before delivering it to the customer. The following checklist is a reminder of points to inspect. Check off each item as it is found satisfactory or after proper adjustment is made.

## **DELIVERY CHECKLIST**

- Remove and reposition center scarifier shank that is bolted in an upside down shipping position.
- Show customer how to make adjustments.

Point out safety features.

Give Operator's Manual to the customer and ask him to familiarize himself with all sections of it.

## **DAILY CHECKLIST**

Check that unit is properly and securely attached to tractor.

During inspection, check that all hardware is secure and cotter pins are in place.

Check that cutting edge of blade is in good condition.

I have thoroughly instructed the buyer on the above described equipment, the review included the Operator's Manual content, equipment care, adjustments and safety information.


\_\_\_\_\_

Date \_\_\_\_\_ Dealer's Rep Signature \_\_\_\_\_

The above equipment and Operator's Manual have been received by me and I have been thoroughly instructed as to care, adjustments and safe operations.

Date \_\_\_\_\_ Owner's Signature \_\_\_\_\_

# SAFETY SECTION

The **SAFETY ALERT SYMBOL**  indicates that there is a potential hazard to personal safety involved and extra safety precautions must be taken. When you see this symbol on your machine or in this manual, be alert and carefully read the message that follows it.

**DANGER:** Indicates an imminently hazardous situation which, if not avoided, will result in death or serious injury. This signal word is limited to the most extreme situations.

**WARNING:** Indicates a potentially hazardous situation which, if not avoided, could result in death or serious injury.

**CAUTION:** Indicates a potentially hazardous situation which, if not avoided, may result in minor or moderate injury. It may also be used to alert against unsafe practices.

## OPERATION

### **WARNING**

Know your controls and how to stop tractor and engine quickly in an emergency. **READ THIS MANUAL AND THE ONE PROVIDED WITH YOUR TRACTOR.**

To avoid accident or injury, do not allow anyone to operate this equipment without proper instructions. Any person who operates this equipment must be instructed in and be capable of the safe operation of the unit, its attachments and all controls.

Always wear relatively tight and belted clothing to avoid entanglement in moving parts. Wear sturdy, rough soled work shoes. Never operate tractor or implements in bare feet, sandals or sneakers.

### **WARNING**

Do not let anyone operate the machine and scraper without proper instruction.

Operate scraper only from operator's seat. Avoid excessive rate of drop.

Keep children and others away when you operate machine.

Always lower the blade to the ground and stop engine before getting off the tractor.

Look carefully behind tractor for children before you back up.

### **CAUTION**

DO NOT allow children to operate tractor.

### **DANGER**

Do not tow anything with scraper.

Do not allow riders on blade at any time. Do not stand or ride in or on scraper.

## SAFETY SECTION continued

### **WARNING**

When turning close to buildings or passing through narrow areas, be sure to allow sufficient clearance for the blade.

Avoid catching the blade on stumps or other immovable objects.

Use extra caution when backfilling deep holes or trenches.

Make adjustments only when the blade is attached to the tractor and lowered to a position to allow safe adjustments.

Keep all people and pets at a safe distance away when operating the blade.

Always comply with all state and local lighting and marking requirements when operating on highways.

Periodically tighten all hardware to ensure unit is in a safe condition.

## MAINTENANCE

### **CAUTION**

Travel slowly over rough terrain.

Use care when ditching on slopes.

Keep engine free of grass, leaves or excess grease to reduce fire hazard.

Sand areas where paint is chipped and repaint to prevent rust.

Store unit where it cannot fall or tip and injure someone.

### **DANGER**

When removing, changing the angle, or reversing the blade, be sure that your feet are never under the blade.

Never work on unit without safety blocks.

# OPERATING SECTION

This unit is designed for a wide range of applications: it may be used for scraping, leveling, grading and backfill.

The safe operation of this unit is the responsibility of the operator, who must be properly trained and qualified. Operators should be familiar with the scarifier shanks, cutting edge and all safety practices before starting operation.

## **TRACTOR SIZE**

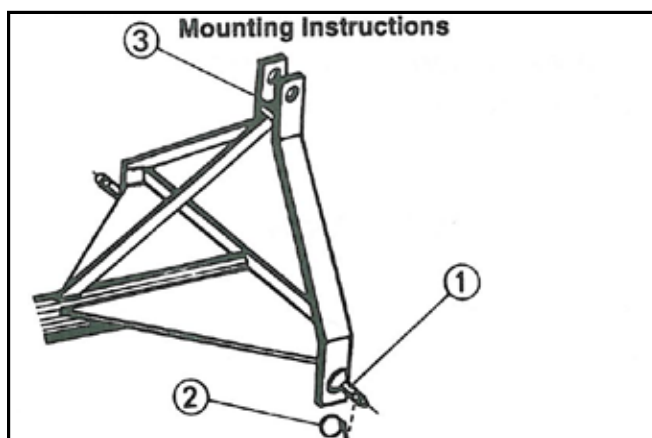
The tilting (C2) rear scraper blades may be mounted on any wheeled tractor of maximum 40 HP drawbar rating or tractor weight up to 4000 pounds.

## **MOUNTING INSTRUCTIONS**

Attach the tractor lift arm to A-frame using lift pins (1), and secure with lynch pins (2) (not included). Attach the top link to the A-Frame upright and adjust top link to achieve the desired angle. (Figure 1)

Level the main frame (3) by adjusting lift and top links. Position sway blocks to eliminate side or install sway braces if required. (Figure 1)

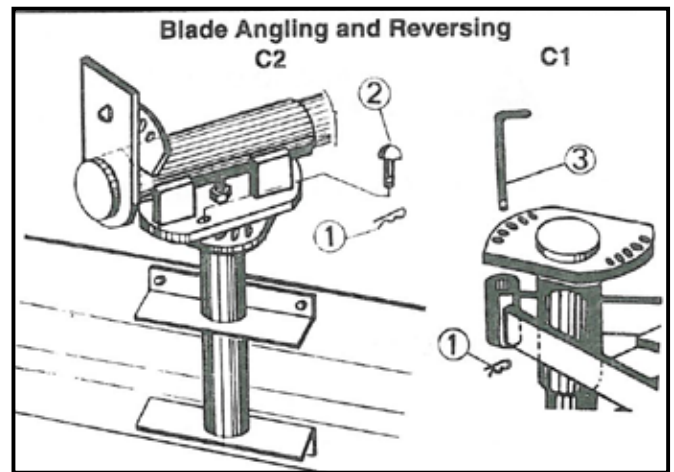
**NOTE: Make sure that blade is at least 6" from tractor tires throughout the range of operation of 3-point hitch of tractor.**



**FIGURE 1**

## **BLADE ANGLING**

The blade may be angled 360 and can be held at 0, 30, or 45 to left or right for forward grading and 0 or 15 to left or right for back filling without unhooking from the tractor. To angle blade, raise it a few inches above the ground by operating the lift control lever of the tractor. Remove the lift control lever of the tractor. Remove the bridge pin (1) and index pin (2). (Figure 2)



**FIGURE 2**

Rotate blade angle to desired position and align blade hole with frame hole and insert index pin (2 or 3) and spring pin (1).

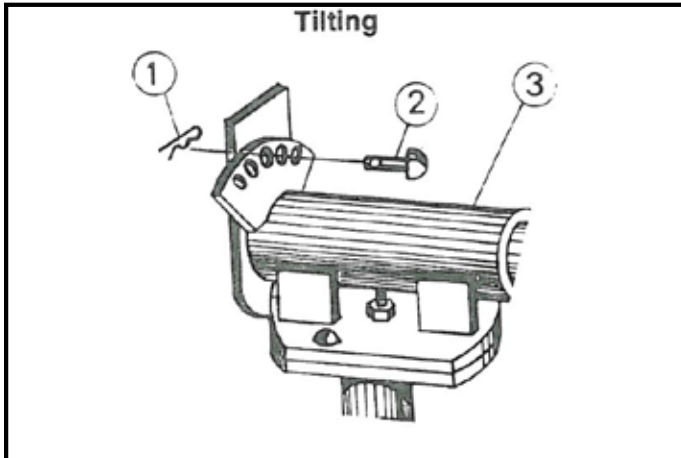
## **REVERSING THE BLADE**

The blade is reversible without removing from tractor. To reverse the blade, raise it off the ground, remove the spring pin (1) and index pin (2). Swing the blade to desired position and replace pins. (Figure 2) **NOTE: 1. Drawbar may have to be removed on some tractors. 2. In some cases it may be necessary to remove the blade from the tractor.**

## OPERATING SECTION

### **TILTING**

The blade may be tilted a few degrees by removing spring pin (1) and index pin (2) and rotate main frame (3) to desired angle. Replace pins (1, 2). (Figure 3)



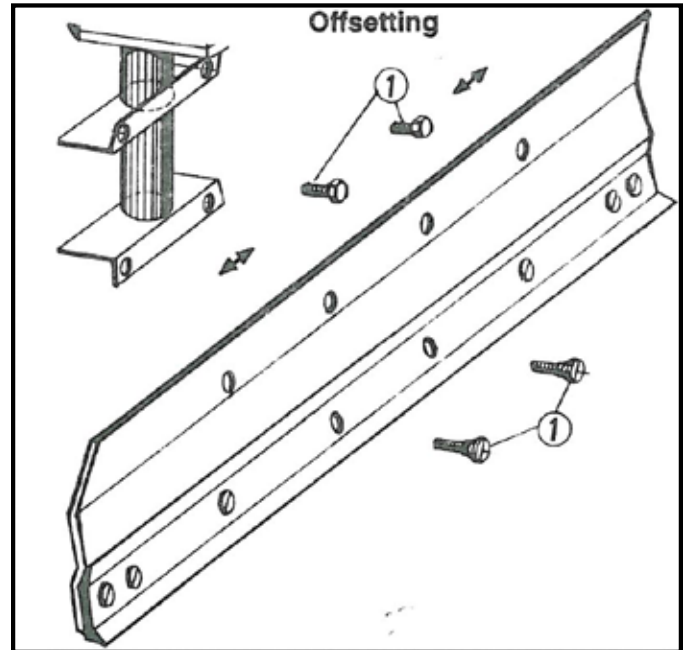
**FIGURE 3**

### **BACK FILLING**

For back filling ditches, or trenches, reverse the blade as explained in **REVERSING THE BLADE**.

### **OFFSETTING**

The blade may be offset 12" either to the right or left. To offset the blade to the right, use two left holes; and to offset the left use two right holes. Remove the four bolts (1) from main frame and relocated moldboard either right or left 12" to align with existing holes. Torque 1/2 nuts to 55 foot pounds and 5/8 nuts to 170 foot pounds. (Figure 4)



**FIGURE 4**

## MAINTENANCE SECTION

### **CUTTING EDGE**

For reversing the cutting edge, remove the 5/8" plow bolts. Remove the cutting edge from moldboard and reinstall with the sharp edge down. Replace it when both edges are worn.

### **BOLTS**

Keep all the bolts tight at all times by checking them periodically. Replace the bolts only with those having the same marks on the heads as an original bolt.

### **CAUTION:**

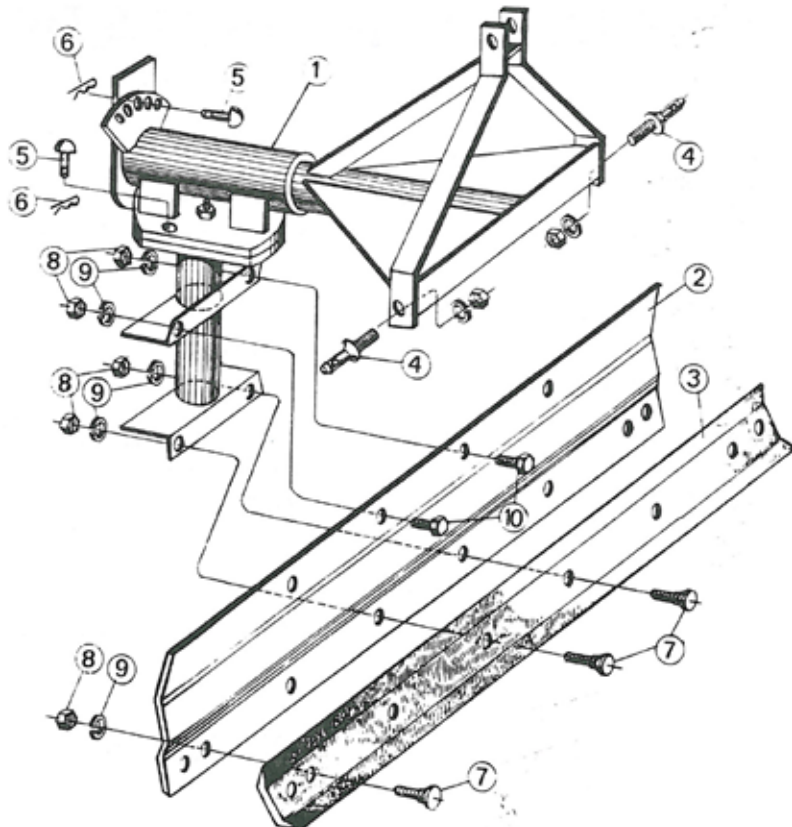
It is very important to tighten the bolts to specified torque. Carelessness may result in bolt breakage and/or damage to the implement.

### **PREVENT RUST**

Sand areas where paint is chipped and repaint to prevent rust.

# TILTING BLADE PARTS LIST

ITEM	PART NO.	QUANTITY	DESCRIPTION
.....	003-5342.....	.....	5' Tilting Blade
.....	003-5542.....	.....	6' Tilting Blade
.....	003-5531.....	.....	7' Tilting Blade
1 .....	103-5966.....	1.....	Upper Main Frame
2 .....	116-1624.....	1.....	5' Moldboard
.....	116-6272.....	1.....	6' Moldboard
.....	116-3610.....	1.....	7' Moldboard
3 .....	416-6564.....	1.....	5' Cutting Edge
.....	416-8430.....	1.....	6' Cutting Edge
.....	416-3906.....	1.....	7' Cutting Edge
4 .....	412-7770.....	2.....	Lift Pin
5 .....	412-0552.....	2.....	Index Pin
6 .....	900-9006.....	2.....	Hitch Pin Clip
7 .....	412-4699.....	5'-6, 6'&7'-8 each .....	5/8" x 1-3/4" Plow Bolt GR5
8 .....	412-0059.....	AR.....	5/8" Nut
9 .....	412-0073.....	AR.....	5/8" Lockwasher
10 .....	900-9006.....	1.....	5/8" x 2" HHCS GR5
11 .....	103-5968.....	1.....	Bottom Assy



# LIMITED WARRANTY POLICY & REGISTRATION

Modern, Inc. warrants its products for a period of one year after date of sale by authorized dealer to be free from defects in material and workmanship, and will replace at its factory, any parts that will be returned, with shipping charges prepaid, and when examined by us, will disclose it to be defective. This warranty will not apply to implements or parts that have been subjected to misuse, negligence, accident, or that have been altered or repaired.

1. Parts may not be returned without authorization by ModernAg Products.
2. All products returned under warranty inspection claim must be returned PREPAID to our factory.
3. Our obligation under the above warranty is limited to repair or replacement at our factory of any part or parts which Modern, Inc. decides to be defective.
4. Products or parts that have been examined by Modern, Inc. and determined to be improperly operated, damaged by accident or negligence, field repaired or altered, are not covered by this warranty.
5. Modern, Inc. reserves the right to change our specification and designs at any time.
6. This warranty will not obligate Modern, Inc. to bear any cost of labor for field replacement, testing, or adjustment.

---

**DEALER: I hereby certify that:**

1. The machine has been correctly assembled in accordance with manufacturers instructions.
2. All bolts have been checked and tightened.
3. All other pre-delivery checks have been completed as per operators manual.
4. Purchaser was given operators manual and instructed in safe and correct usage of machine and on limitation of warranty.
5. Machine was tested and operates correctly.

**PURCHASER: I hereby certify that:**

1. The machine is correctly assembled.
2. Receipt of the operators manual which I have read and clearly understood.
3. I have a clear understanding of the warranty limitations.
4. I have a clear understanding on the correct and safe operation of the machine
5. That the machine needs regular maintenance as per instructions in operators manual.
6. I have a clear understanding on the capacity of this machine and am aware of its limitations.

MODEL \_\_\_\_\_

SERIAL # \_\_\_\_\_

DEALER \_\_\_\_\_

DATE DELIVERED \_\_\_\_\_

DEALER'S STAMP

MAIL TO:

PURCHASERS ADDRESS: